

WAREWASHING



Hood-type Dishwasher

PROFI AMXXL
PREMAX AUPL

Spare Parts Catalogue

EN

Note

For other electrical components or voltages, refer to the wiring diagram shipped with the machine.

Legend



Recommended spare parts



Wearing parts

Publisher

HOBART GmbH
Robert-Bosch-Str. 17
77656 Offenburg

Tel +49(0)781.600-0
Fax +49(0)781.600-23 19

E-Mail: info@hobart.de
Internet: www.hobart.de

Product disclaimer

Installations and repairs carried out by non-authorized technicians or using non-genuine spare parts, and any technical alterations to the machine not approved by the manufacturer will invalidate the manufacturer's warranty and product liability.

HOBART reserves the right to make changes or improvements to its products without prior notice.

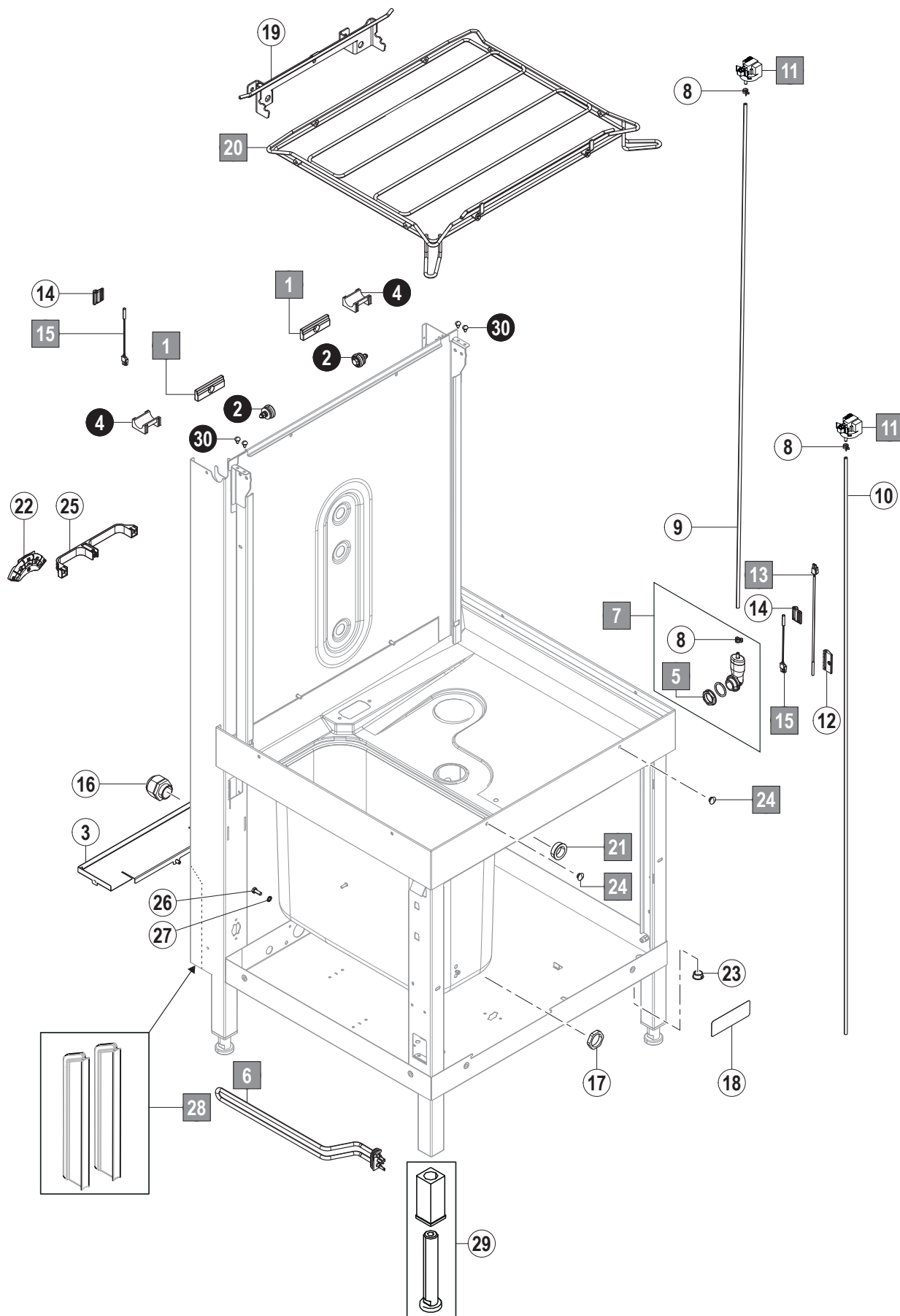
Detailed information can be obtained from your specialist dealer or from:

SERVICE Tel. 01803 45 62 58
Internet: www.hobart.de
E-Mail: info@hobart.de (within Germany)

© HOBART GmbH, Offenburg 2020

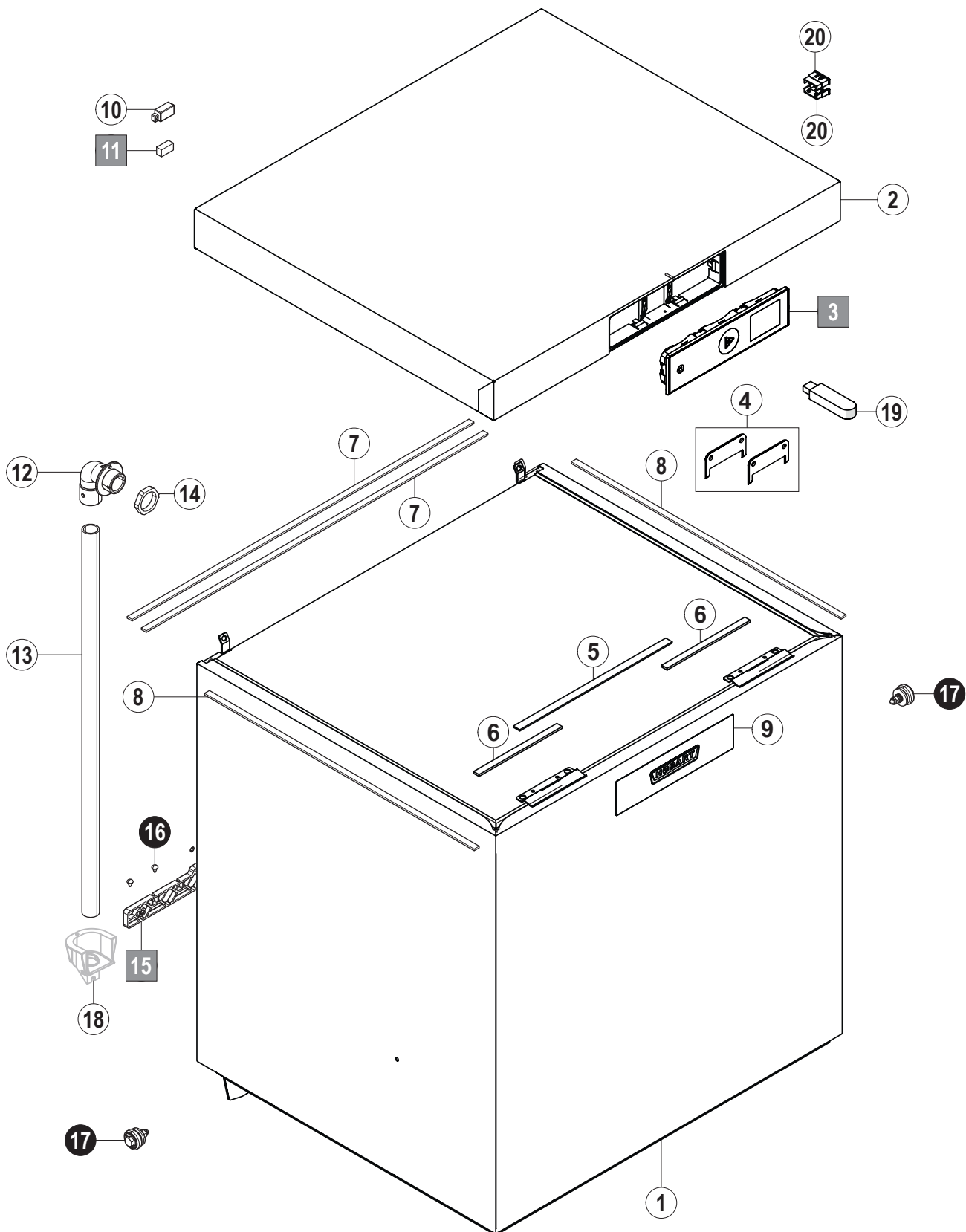
Page	Chapter	Content
4	1.	Base frame
6	2.	Hood
8	3.	Hood with Vapostop (Option)
10	4.	Hoodlift handle
12	5.	covering
14	6.	Filling without Softener
16	7.	Filling with Softener
18	8.	Drain system
20	9.	Strainer system AMXXL
22	10.	Strainer system AUPL
24	11.	Wash system
26	12.	Wash pump AMXXL
28	13.	Wash pump AUPL
30	14.	Boiler 12,3 kW
32	15.	Switch box
34	16.	Dosage
36	17.	Waste water heat recovery (Option)
38	18.	ASR at AUPL
42	19.	Hoodlift (Option)

1. Base frame



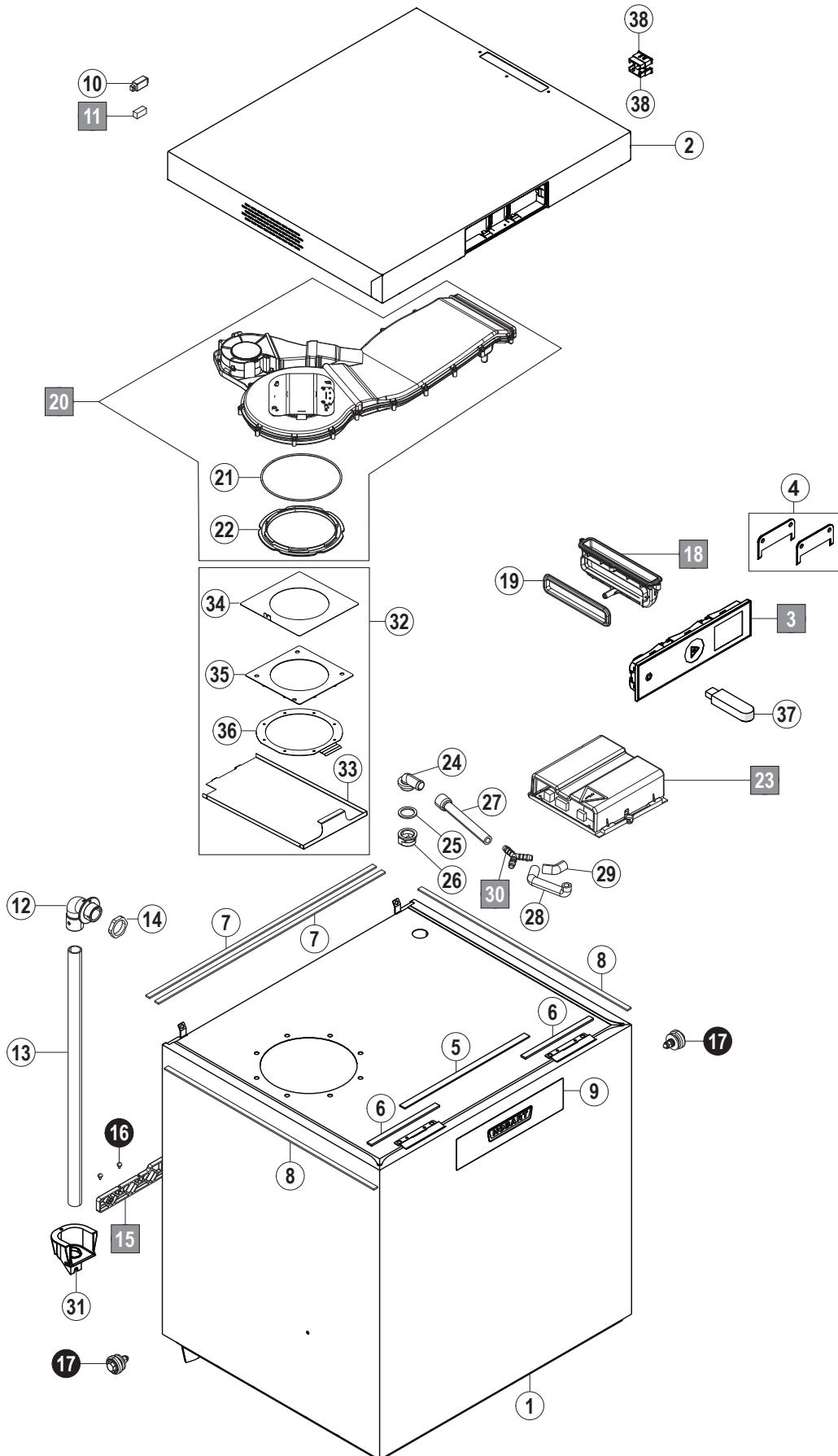
Pos. no.	Part no.	Part name	Remarks
1	01-246900-001	Distance block	
2	01-515688-001	Roller compl.	
3	01-515850-002	Cover back side	
4	00-898024-001	Bearing	
5	00-324384-000	Nut	
6	00-883423-001	Tank heater	
7	01-515334-001	Air chamber replacement kit	incl. Pos. 5 + 8
8	01-246214-003	Hose clip	
9	00-324402-022	Hose	
10	00-324402-023	Hose	
11	01-539157-001	Pressure transmitter	
12	01-297719-001	Bracket temperature sensor	
13	00-775612-001	Temperature sensor	
14	01-515259-001	Bracket gas reed switch	
15	01-515276-001	Reed switch	
16	00-695661-005	Cable fitting	
17	00-695664-005	Counter nut	
18	01-240359-001	Label warning notice	
19	01-531697-001	Bracket rack frame	
20	01-539519-004	Rack frame	
21	01-510505-001	Insulation bushing	
22	01-515897-001	Hose guidance rail	
23	00-895609-001	Cover cap	
24	00-886859-001	Plug	
25	01-539512-001	Hose guidance rail	
26	00-602570-000	Screw	
27	00-605283-000	Fan washer	
28	01-539610-001	Spare parts kit cover U-Profil	
29	ML102829	Spare part kit adjustable foot	
30	00-228828-000	Stopper	

2. Hood



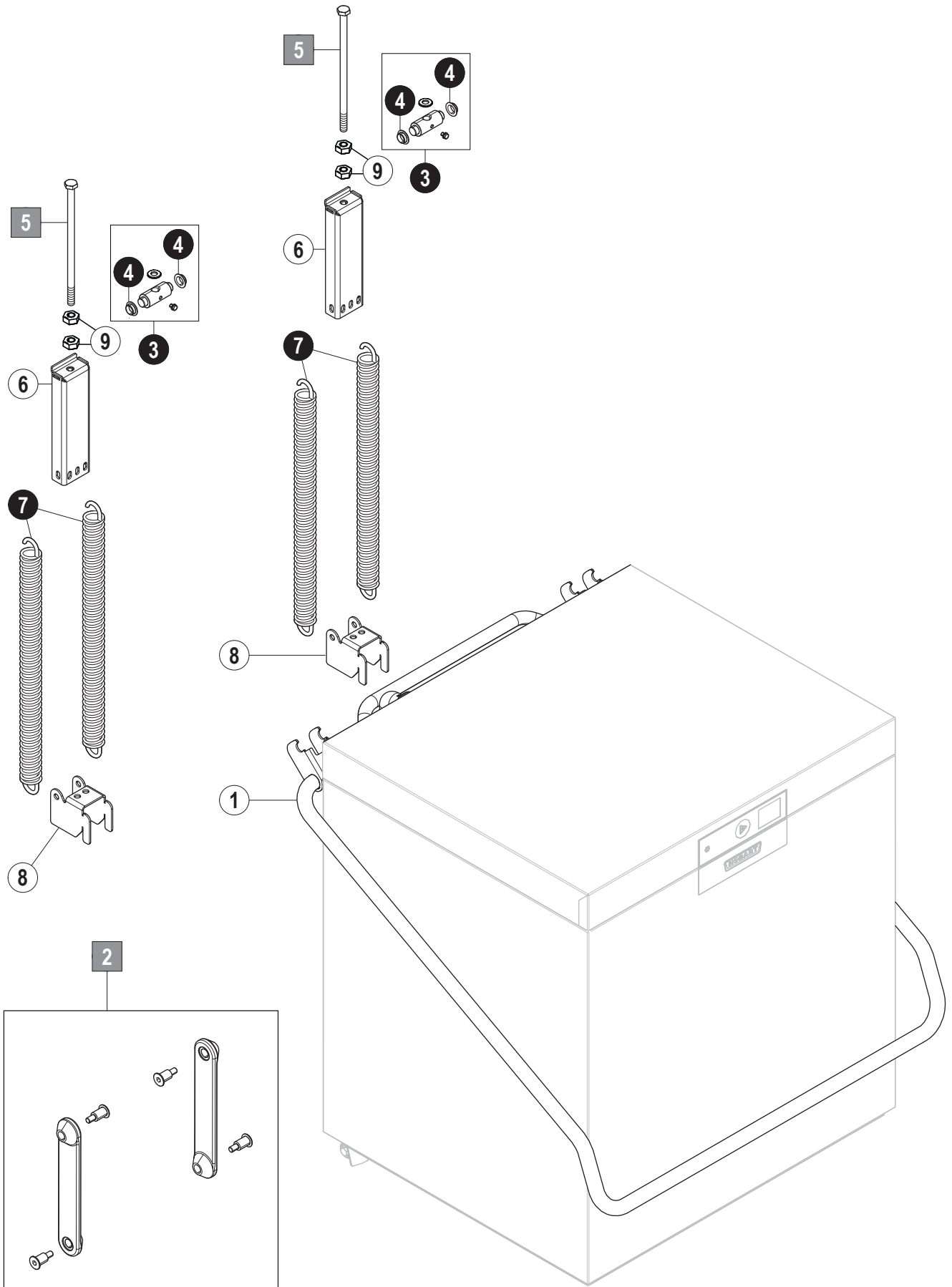
Pos. no.	Part no.	Part name	Remarks
1	04-005652-001	Hood with insulation	
2	04-005657-001	Cover Hood	
3	04-006024-001	Operating and display unit	AUPL
	04-006024-002	Operating and display unit	AMXXL
4	04-006322-001	Tool	for assembly / disassembly operating and display unit
5	01-539856-008	Gasket	
6	00-883777-019	Gasket	
7	00-883777-012	Gasket	
8	00-883777-020	Gasket	
9	04-005621-003	Front foil hood	AUPL
	04-005621-004	Front foil hood	AMXXL
10	00-883746-001	Magnet retainer	
11	00-775860-001	Magnet	
12	00-883498-001	Flange	
13	00-775924-002	Cable protection pipe	
14	00-695664-005	Counter nut	
15	01-297717-001	Block	
16	00-228828-000	Stopper	
17	01-515688-001	Roller compl.	
18	01-539639-001	Cover cable tube	
19	04-005705-001	USB flash drive	
20	01-539527-001	USB adapter	

3. Hood with Vapostop (Option)



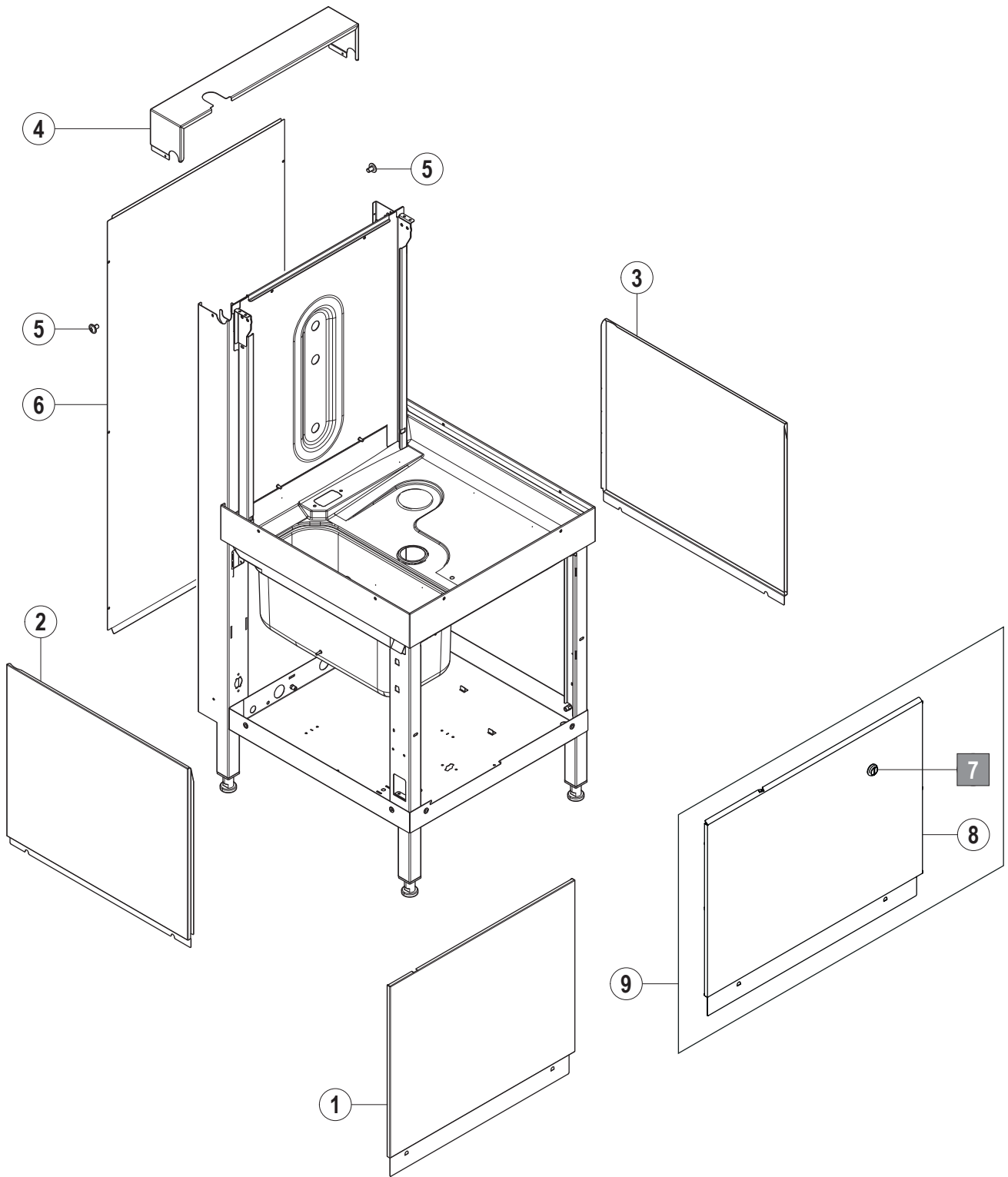
Pos. no.	Part no.	Part name	Remarks
1	04-005652-002	Hood with insulation	
2	04-005657-002	Cover Hood	
3	04-006024-001	Operating and display unit	AUPL
	04-006024-002	Operating and display unit	AMXXL
4	04-006322-001	Tool	for assembly / disassembly operating and display unit
5	01-539856-008	Gasket	
6	00-883777-019	Gasket	
7	00-883777-012	Gasket	
8	00-883777-020	Gasket	
9	04-005621-003	Front foil hood	AUPL
	04-005621-004	Front foil hood	AMXXL
10	00-883746-001	Magnet retainer	
11	00-775860-001	Magnet	
12	00-883498-001	Flange	
13	00-775924-002	Cable protection pipe	
14	00-695664-005	Counter nut	
15	01-297717-001	Block	
16	00-228828-000	Stopper	
17	01-515688-001	Roller compl.	
18	01-515996-001	Front panel	
19	01-240121-001	Sealing pipe cover plate	
20	01-240261-001	Fan unit, compl.	incl. Pos. 21 + 22
21	01-240272-001	Sealing	
22	01-240267-001	Bayonet nut	
23	01-240262-001	Fan control compl.	
24	00-324097-000	Filler piece	
25	00-775305-001	Sealing	
26	00-324183-000	Nut	
27	01-297678-001	Hose	
28	01-297687-001	Hose	
29	01-297689-001	Hose	
30	00-174047-002	Hose connection	
31	01-539639-001	Cover cable tube	
32	01-531832-001	Fan holder kit	incl. Pos. 33 - 36
33	01-531835-001	Splash panel	
34	01-531833-001	Adapter Vapostop	
35	01-531767-001	Sealing collar Vapostop	
36	01-531831-001	Mounting ring	
37	04-005705-001	USB flash drive	
38	01-539527-001	USB adapter	

4. Hoodlift handle



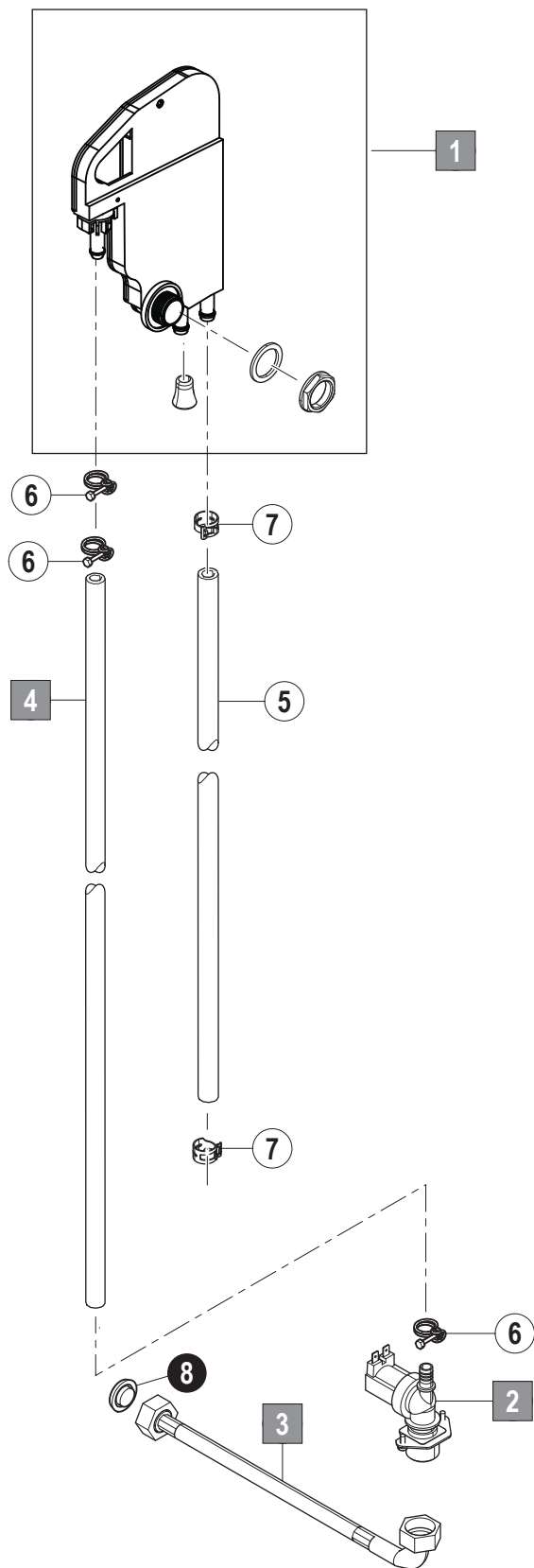
Pos. no.	Part no.	Part name	Remarks
1	01-515772-001	Hoodlift handle	
2	00-883947-002	Lifting tab spare part kit	
3	04-016272-001	Spring retaining bolt kit	incl. 2x Pos. 4
4	04-016271-001	Slide bearings kit	4 pieces
5	00-605253-001	Screw	
6	01-539540-001	Spring braket	
7	00-898028-001	Spring	
8	01-539539-001	Mounting braket spring	
9	00-602493-000	Nut	

5. covering



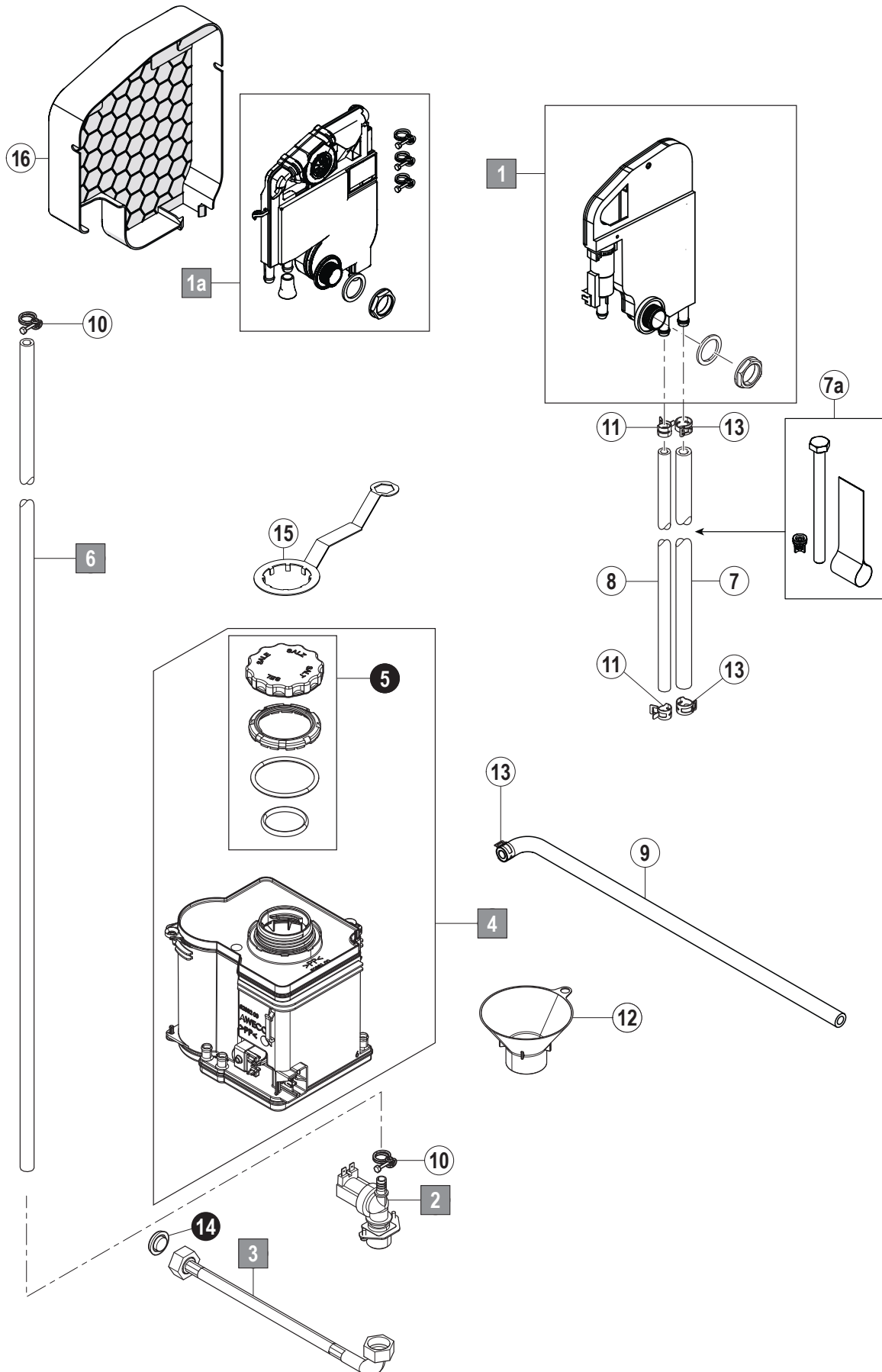
Pos. no.	Part no.	Part name	Remarks
1	01-539552-001	Covering front side	
2	01-515959-001	Covering left	
3	04-005668-001	Covering right	
4	01-515852-003	Back cover	
	01-515852-004	Back cover	Hoodlift only
5	00-883731-001	Screw	
6	01-539553-001	Back covering	optional
7	00-883959-001	Push button	
8	01-539552-002	Covering front side	Hoodlift only
9	01-539555-001	Covering front side compl.	Hoodlift only, incl. Pos. 7 + 8

6. Filling without Softener



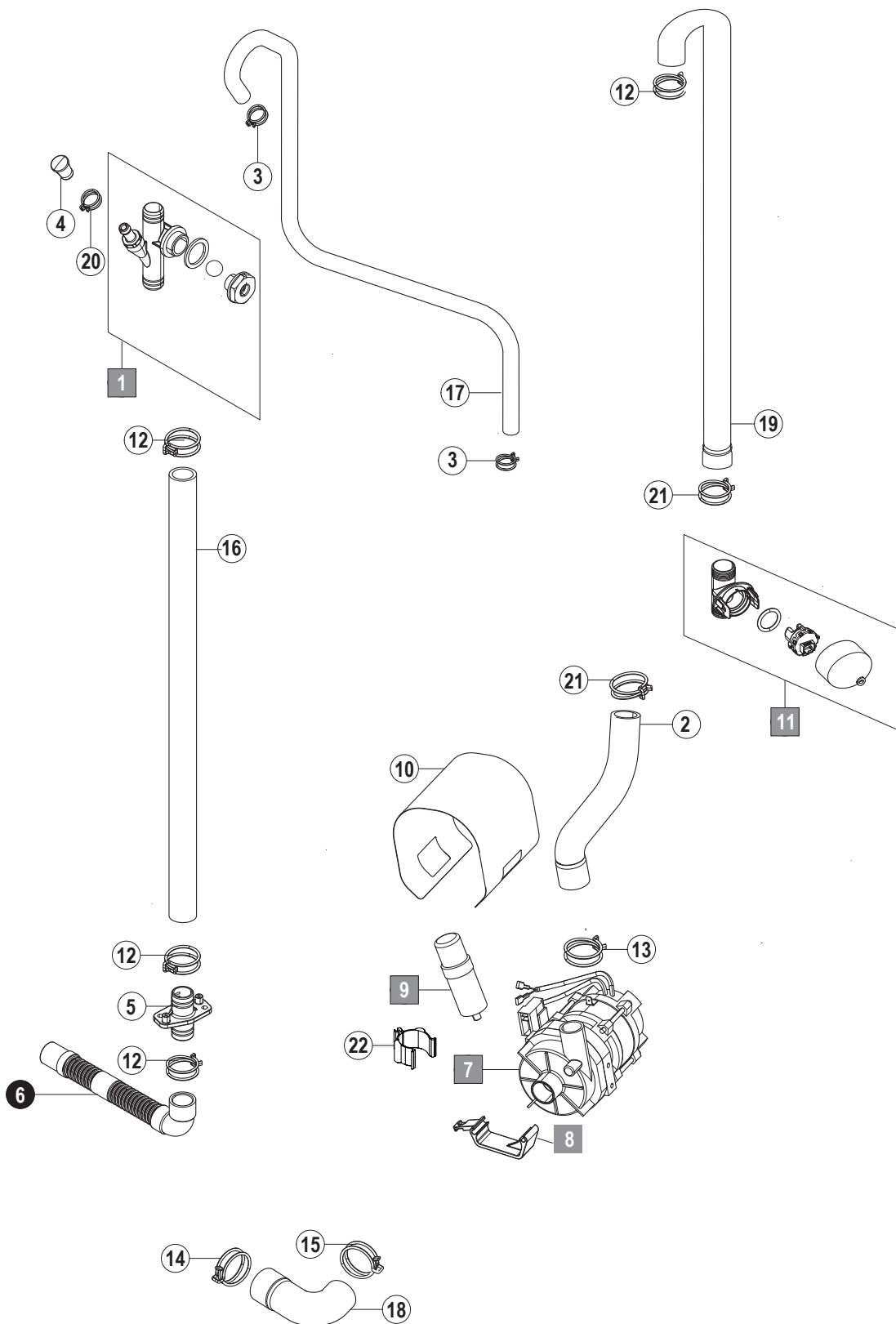
Pos. no.	Part no.	Part name	Remarks
1	01-515331-001	Spare parts kit waterbreak	
2	00-883658-001	Filling valve	
3	04-005833-001	Water supply Hose	
	01-510262-003	Water supply Hose	Australia only
4	01-246371-006	Hose	
5	01-297802-010	Hose	
6	00-323945-016	Hose clip	
7	01-246214-002	Spring band clamp	
8	00-378525-001	Sealing with strainer	

7. Filling with Softener



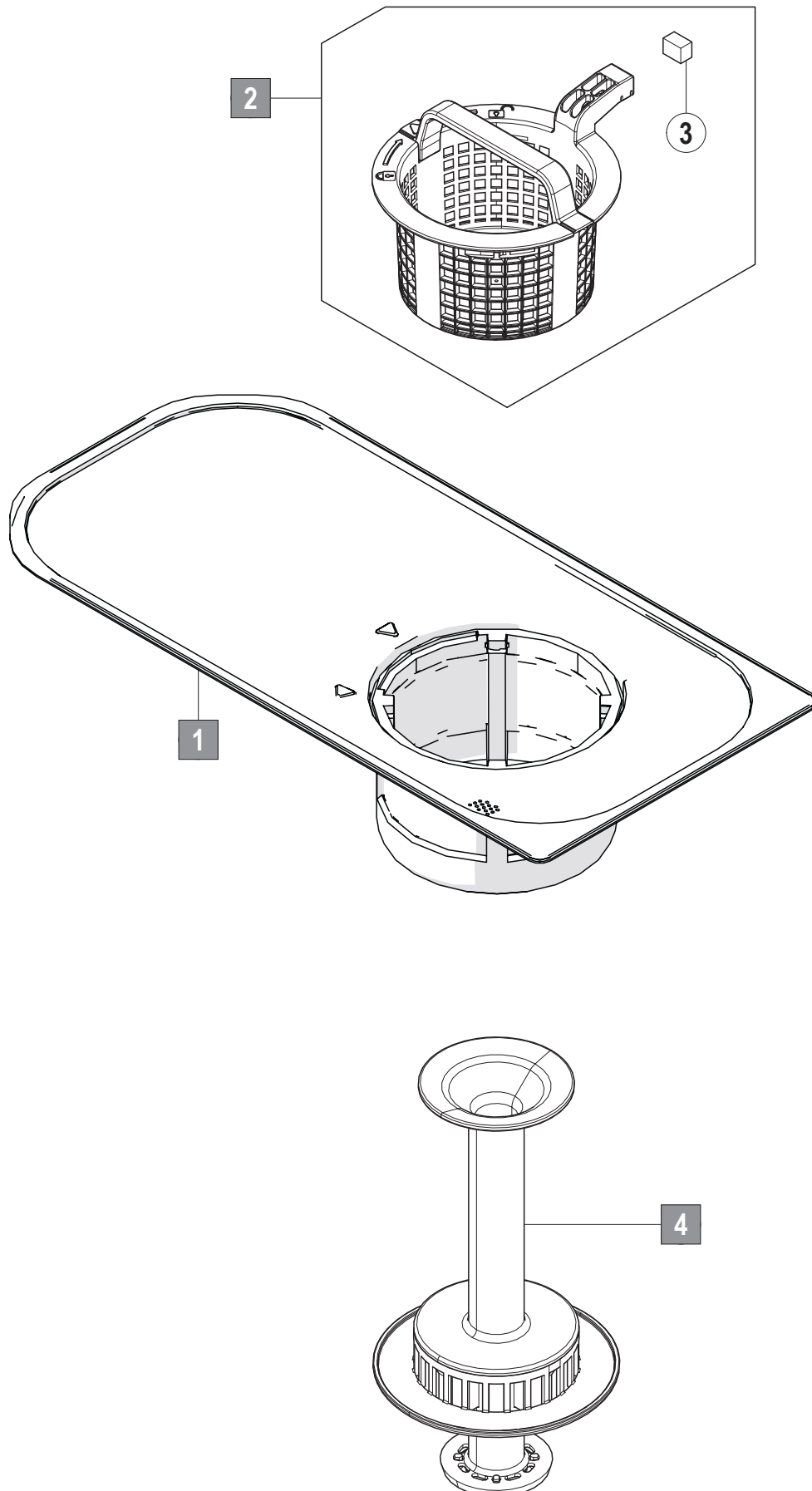
Pos. no.	Part no.	Part name	Remarks
1	01-515331-002	Spare parts kit waterbreak	
1a	04-006346-001	Air Gap spare part kit	only WRAS model UK
2	00-883658-001	Filling valve	
3	04-005167-003	water supply Hose	
4	01-515030-001	Softener	incl. Pos. 5
5	01-515030-050	Softener spare part kit cover	
6	01-246371-015	Hose	
7	01-297802-009	Hose	at WRAS model UK: use return valve kit pos. 7a
7a	04-006448-001	Return valve kit	only WRAS model UK use Hose pos. 7a
8	00-775611-010	Hose	
	00-775611-007	Hose	only WRAS model
9	04-005673-001	Hose	
10	00-323945-016	Hose clip	
11	01-246214-008	Hose clip	
12	01-515277-001	Funnel	
13	01-246214-002	Spring band clamp	
14	00-378525-001	Sealing with strainer	
15	01-293500-001	Tool softener	
16	04-005763-001	Cover AIR GAP	only WRAS model UK

8. Drain system



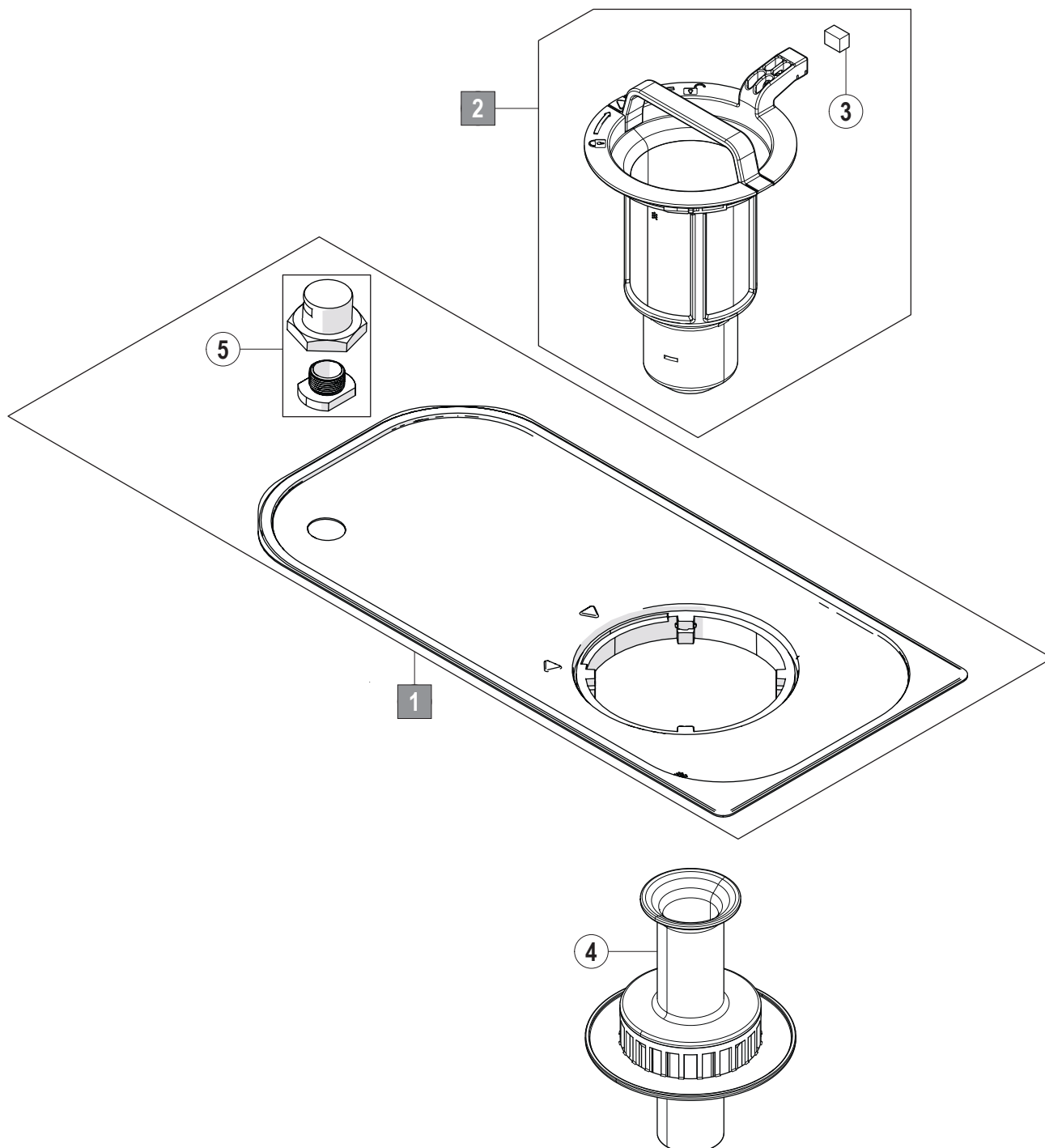
Pos. no.	Part no.	Part name	Remarks
1	01-515775-001	Ventilation valve, compl.	
2	01-515969-001	Hose	
3	01-246214-002	Spring band clamp	
4	00-775531-001	Blind plug	Without softener only
5	01-240159-001	Drain connection	
6	00-883961-002	Drain Hose	
7	00-775854-003	Drain pump	
8	01-515154-001	Bracket rinse pump	
9	00-226568-002	Condenser	
10	01-515763-001	Cover	
11	01-515022-002	Turbidity sensor compl.	
12	00-324510-287	Hose clip	
13	00-324510-327	Hose clip	
14	00-324510-388	Hose clip	
15	00-324510-356	Hose clip	
16	01-515856-001	Hose	
17	01-515868-001	Hose	With softener only
18	01-515933-001	Hose	
19	01-515968-001	Hose	
20	00-324510-140	Hose clip	Without softener only
21	00-324510-313	Hose clip	
22	01-539645-001	Holder	

9. Strainer system AMXXL



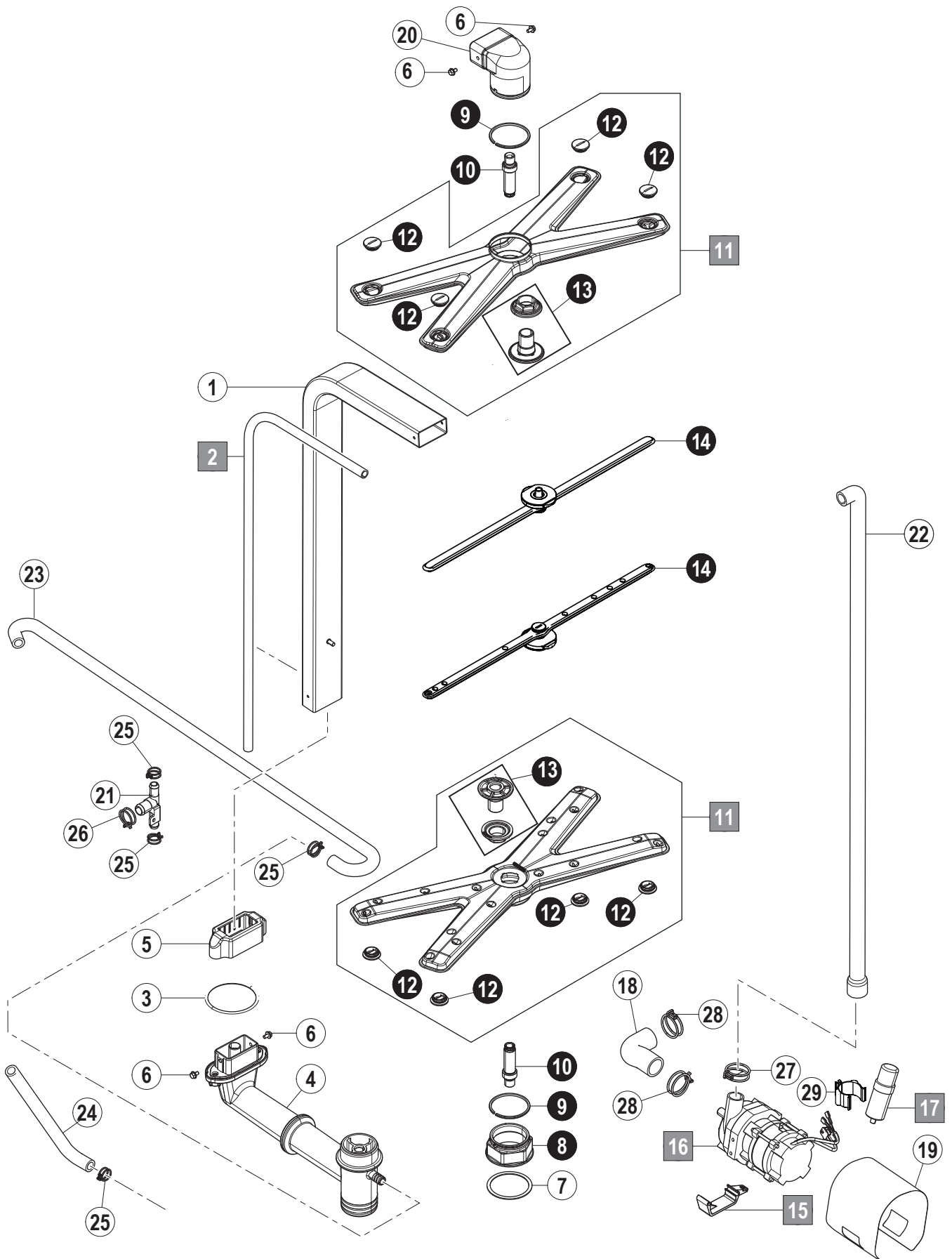
Pos. no.	Part no.	Part name	Remarks
1	01-515598-001	Tank cover strainer	
2	01-515594-001	Strainer basket, compl.	incl. Pos. 3
3	01-515145-001	Magnet	
4	00-883550-001	Riser	

10. Strainer system AUPL



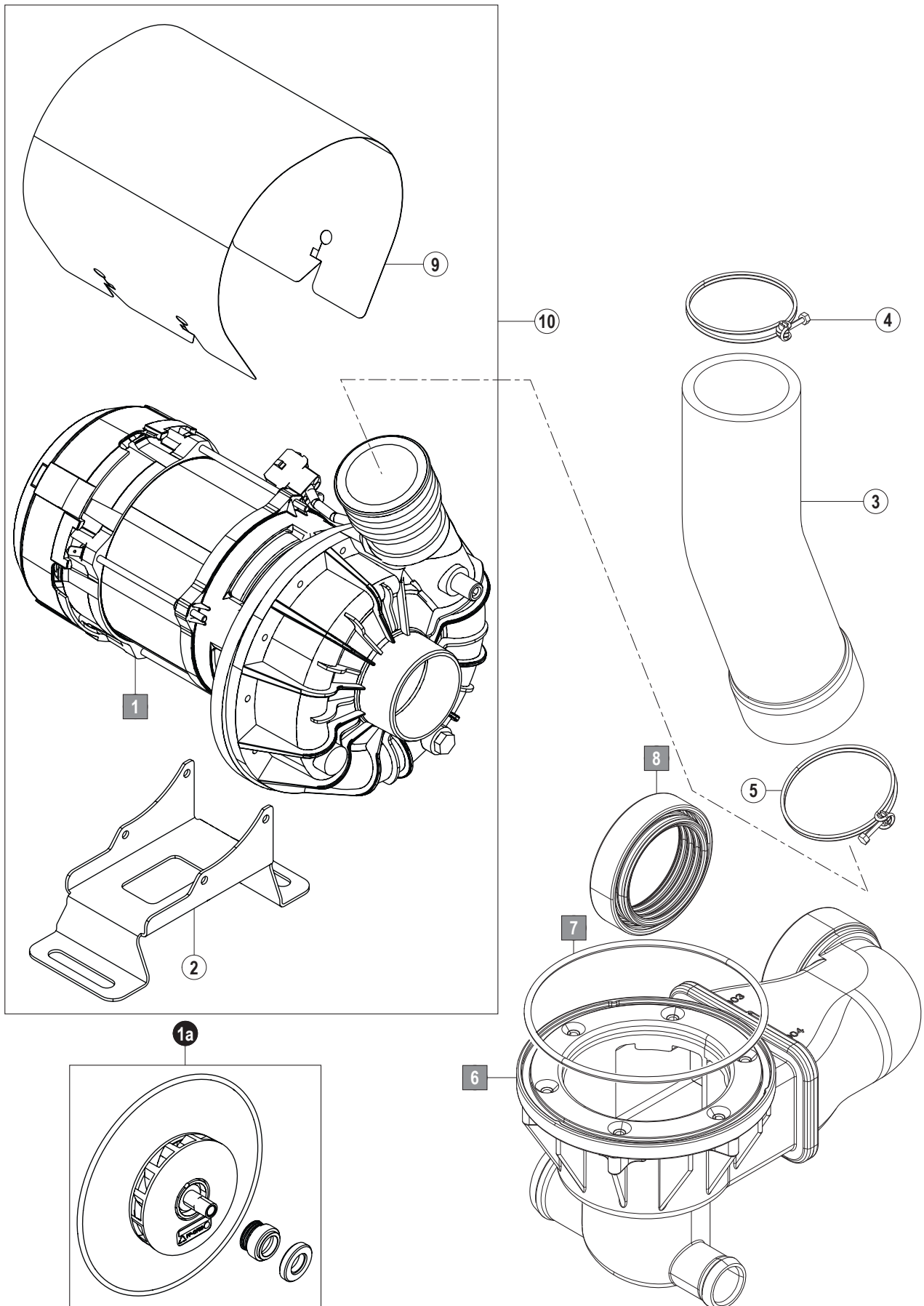
Pos. no.	Part no.	Part name	Remarks
1	01-515598-002	Tank cover strainer	
2	01-515782-001	Strainer basket, compl.	incl. Pos. 3
3	01-515145-001	Magnet	
4	01-515780-001	Riser	
5	04-005715-001	Screw connection kit	

11. Wash system



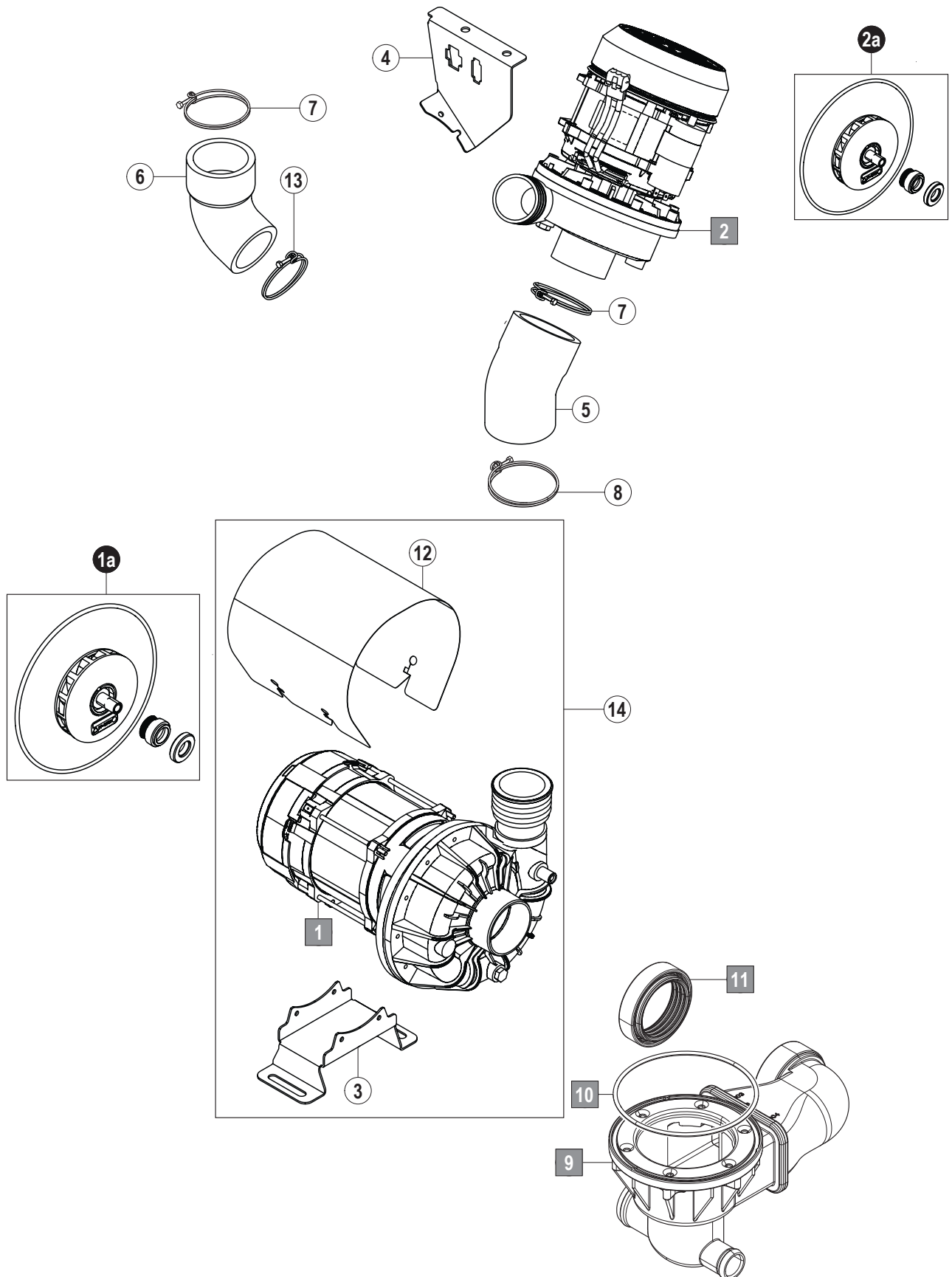
Pos. no.	Part no.	Part name	Remarks
1	01-515685-002	Manifold	AMXXL
	01-515685-004	Manifold	AUPL
2	00-883512-002	Wash pipe	
3	00-276903-065	O-ring	
4	01-515649-001	Wash arm base, bottom	
5	01-515687-001	Cover manifold	
6	00-609782-000	Screw	
7	00-172986-035	Sealing	
8	00-883497-001	Separating nut	
9	00-324751-000	Sealing ring	
10	01-515835-002	Axle wash arm	
11	01-515588-001	Wash arm, compl.	incl. Pos. 12 + 13
12	00-886610-000	Wash arm plug	4 pieces
13	01-539624-002	Spare parts kit wash arm guidance	
14	01-539620-001	Rinse arm, compl.	
15	01-515154-001	Bracket rinse pump	
16	01-515260-001	Rinse pump 50 Hz	
	01-515260-002	Rinse pump 60 Hz	
17	00-226568-002	Condenser	
18	01-515844-001	Hose	
19	01-515763-001	Cover	
20	00-883466-001	Wash arm base, top	
21	00-324071-000	T-piece	
22	01-515846-001	Hose	
23	01-515847-001	Hose	
24	01-515848-001	Hose	
25	00-324510-202	Hose clip	
26	00-324510-242	Hose clip	
27	00-324510-327	Hose clip	
28	00-324510-356	Hose clip	
29	01-539645-001	Holder	

12. Wash pump AMXXL



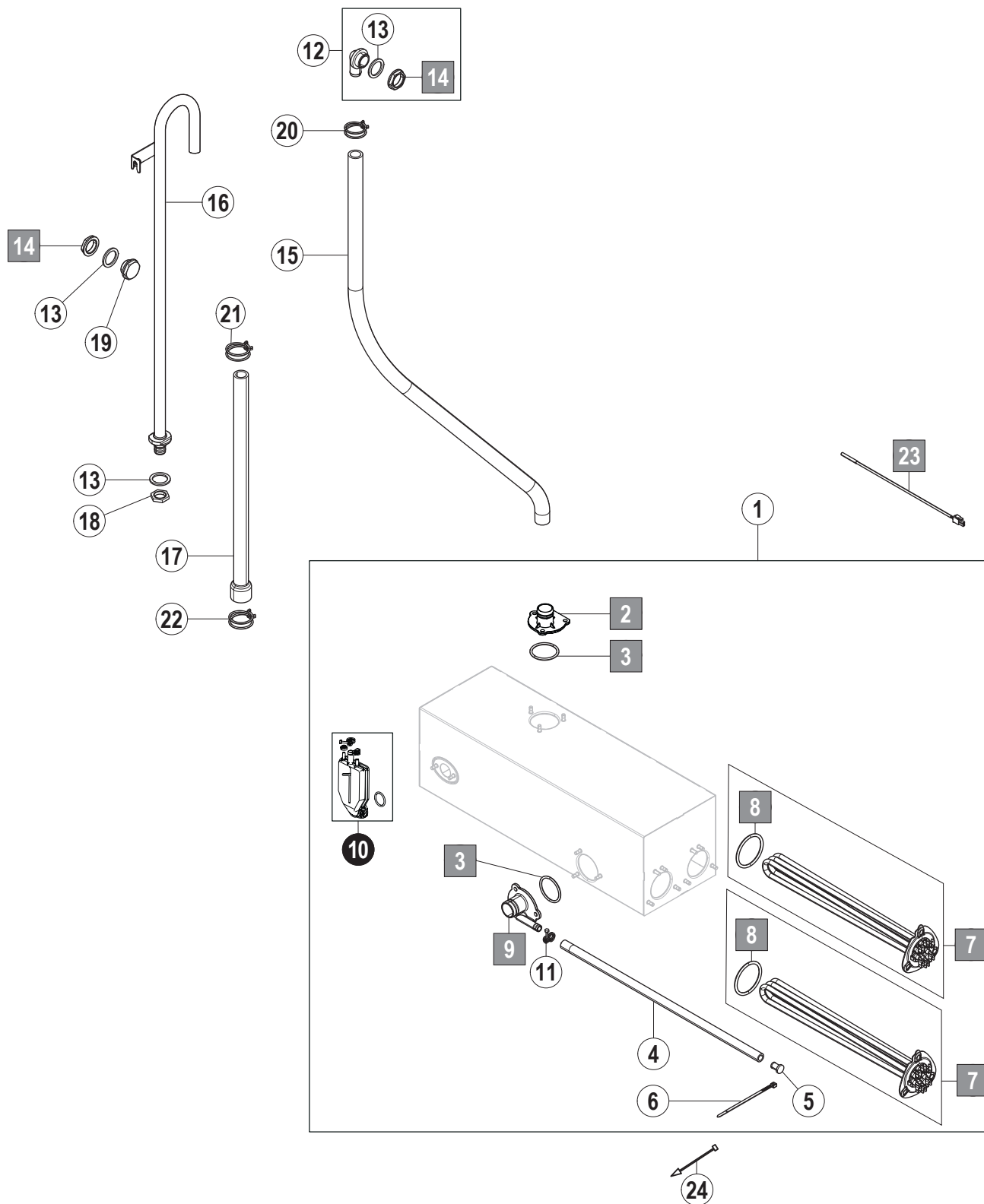
Pos. no.	Part no.	Part name	Remarks
1	04-005573-001	Wash pump 50 Hz	
	04-005573-002	Wash pump 60 Hz	
1a	00-883525-010	Spare part kit pump 50 Hz	
	00-883525-020	Spare part kit pump 60 Hz	
2	04-005681-001	Bracket pump	
3	01-515799-001	Hose	
4	00-323945-072	Hose clip	
5	00-323945-076	Hose clip	
6	01-515652-001	Tank flange	
7	00-276903-028	O-ring	
8	01-515893-001	Sealing	
9	04-005702-001	Cover pump	
10	04-005712-001	Wash pumps kit 50 Hz	incl. Pos. 1, 2 and 9
	04-005712-002	Wash pumps kit 60 Hz	incl. Pos. 1, 2 and 9

13. Wash pump AUPL



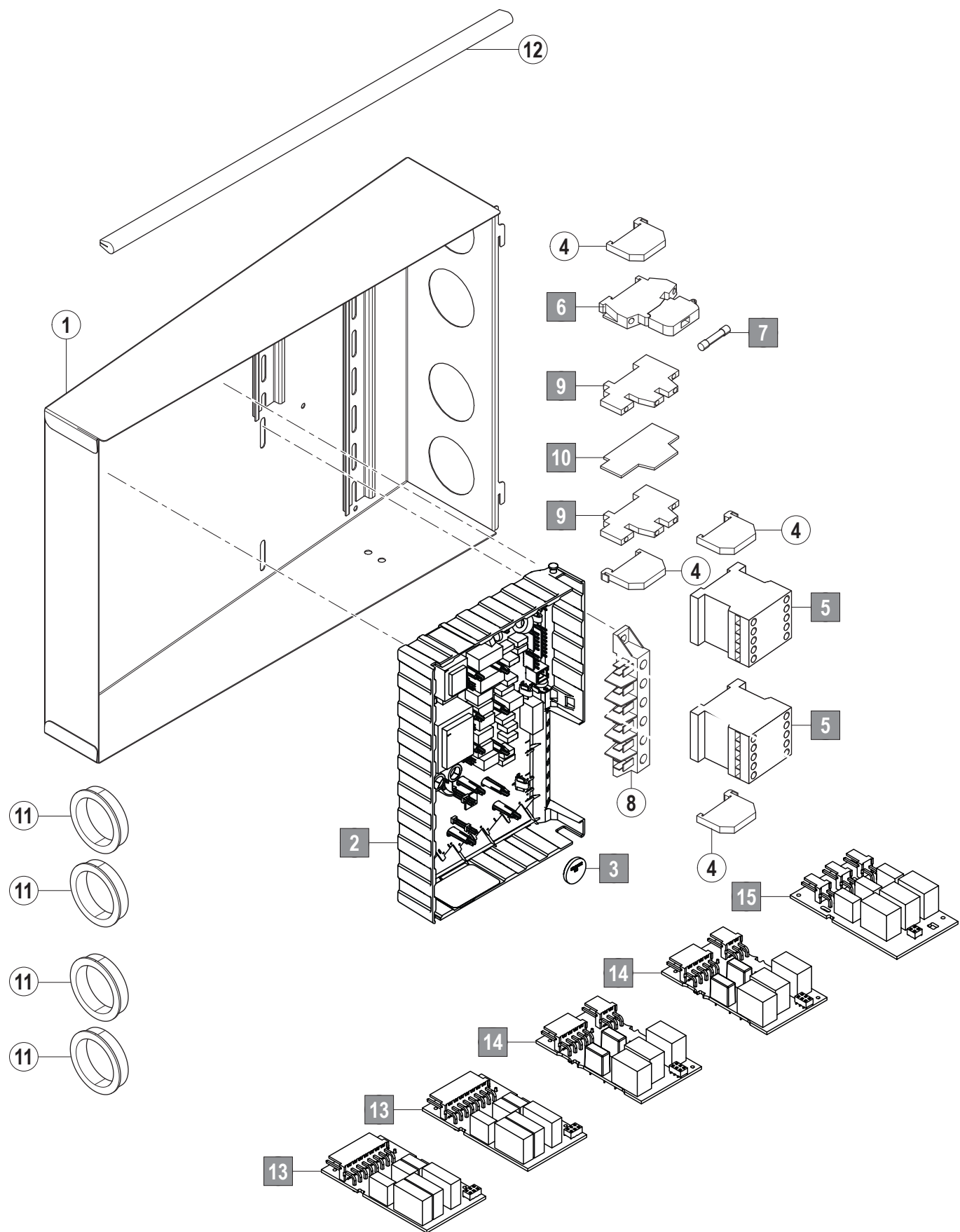
Pos. no.	Part no.	Part name	Remarks
1	04-005573-001	Wash pump 50 Hz	
	04-005573-002	Wash pump 60 Hz	
1a	00-883525-010	Spare part kit pump 50 Hz	
	00-883525-020	Spare part kit pump 60 Hz	
2	01-515765-001	Wash pump 50 Hz	
	01-515765-002	Wash pump 60 Hz	
2a	00-898253-010	Spare part kit pump 50 Hz	
	00-898253-020	Spare part kit pump 60 Hz	
3	04-005679-001	Bracket pump	
4	04-005665-001	Bracket pump	
5	04-005667-001	Hose	
6	04-005666-001	Hose	
7	00-323945-072	Hose clip	
8	00-323945-076	Hose clip	
9	01-515652-002	Tank flange	
10	00-276903-028	O-ring	
11	01-515893-001	Sealing	
12	04-005702-001	Cover pump	
13	00-323945-064	Clamp	
14	04-005713-001	Wash pumps kit 50 Hz	incl. Pos. 1, 3 and 12
	04-005713-002	Wash pumps kit 60 Hz	

14. Boiler 12,3 kW



Pos. no.	Part no.	Part name	Remarks
1	04-005585-001	Boiler, compl.	incl. Pos. 2 - 11
2	01-539985-001	Boiler overflow	
3	00-276903-064	O-ring	
4	00-774080-001	Hose	AMXXL
5	00-774512-001	Plug	AMXXL
6	00-165128-001	Cable tie	AMXXL
7	01-515258-001	Hot water tank heater	
8	01-240135-011	O-ring	
9	04-005599-001	Pump intake	
10	04-006291-001	Air chamber, replacement kit	
11	00-323945-015	Wire Hose clamp	
12	00-883281-001	Spare part kit filler piece	AMXXL
13	00-775305-001	Sealing	
14	00-324384-000	Nut	
15	01-539567-001	Hose	AMXXL
16	01-539572-001	Elbow pipe	AUPL
17	01-539567-002	Hose	AUPL
18	00-172739-001	Nut	AUPL
19	01-297500-001	Cover	AUPL
20	00-324510-242	Hose clip	AMXXL
21	00-323945-025	Hose clip	AUPL
22	00-324510-356	Hose clip	
23	00-775612-001	Temperature sensor	
24	00-227073-095	Bridge	

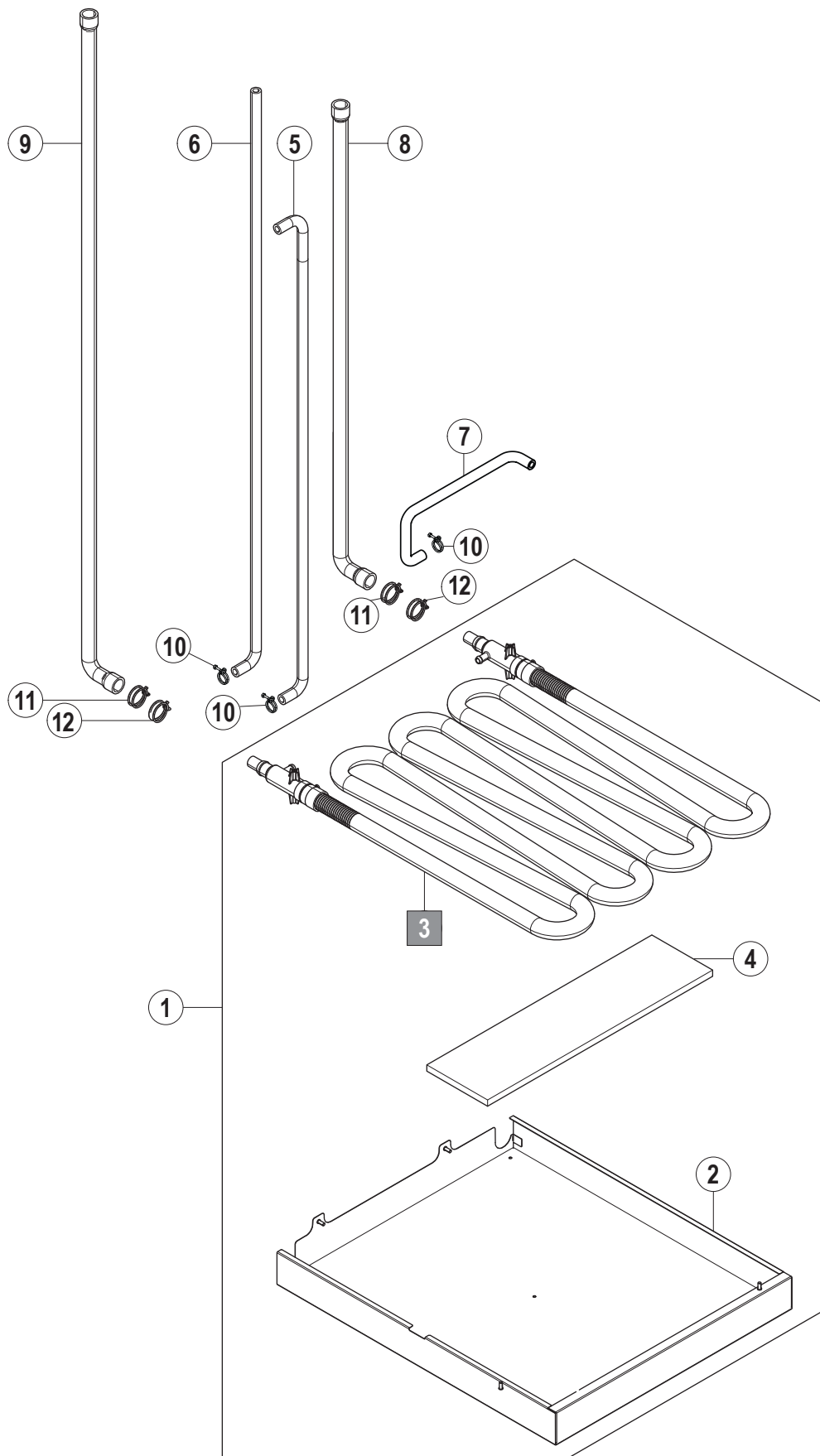
15. Switch box



Pos. no.	Part no.	Part name	Remarks
1	01-515748-001	Switch box premouted	
2	04-006176-001	Control	
3	01-533928-001	Battery	
4	00-323981-001	End clamp	
5	00-695521-062	Contactactor	
6	00-775548-001	Fuse clip and disconnect terminal	
7	00-775570-001	Fuse	
8	00-774055-001	Connection block	
9	00-785508-001	Two-tier terminal	
10	00-785508-011	Core end plate	
11	00-886756-001	Insulation bushing	
12	00-229169-013	Rubber profile	
13	04-006021-001	Expansion board_A3	Slot 1A3, Models with softener only
	04-006021-001	Expansion board_A3	Slot 2A3, Models with 2 boiler heating, separate filling
14	04-006022-001	Expansion board_A4	Slot 3A4, only models with Vapostop
	04-006022-001	Expansion board_A4	Slot 4A4, only models with ASR, wash pump 2 (HP)
15	04-006023-001	Expansion board_A5	Slot 5A5, only models with Hoodlift, PFK

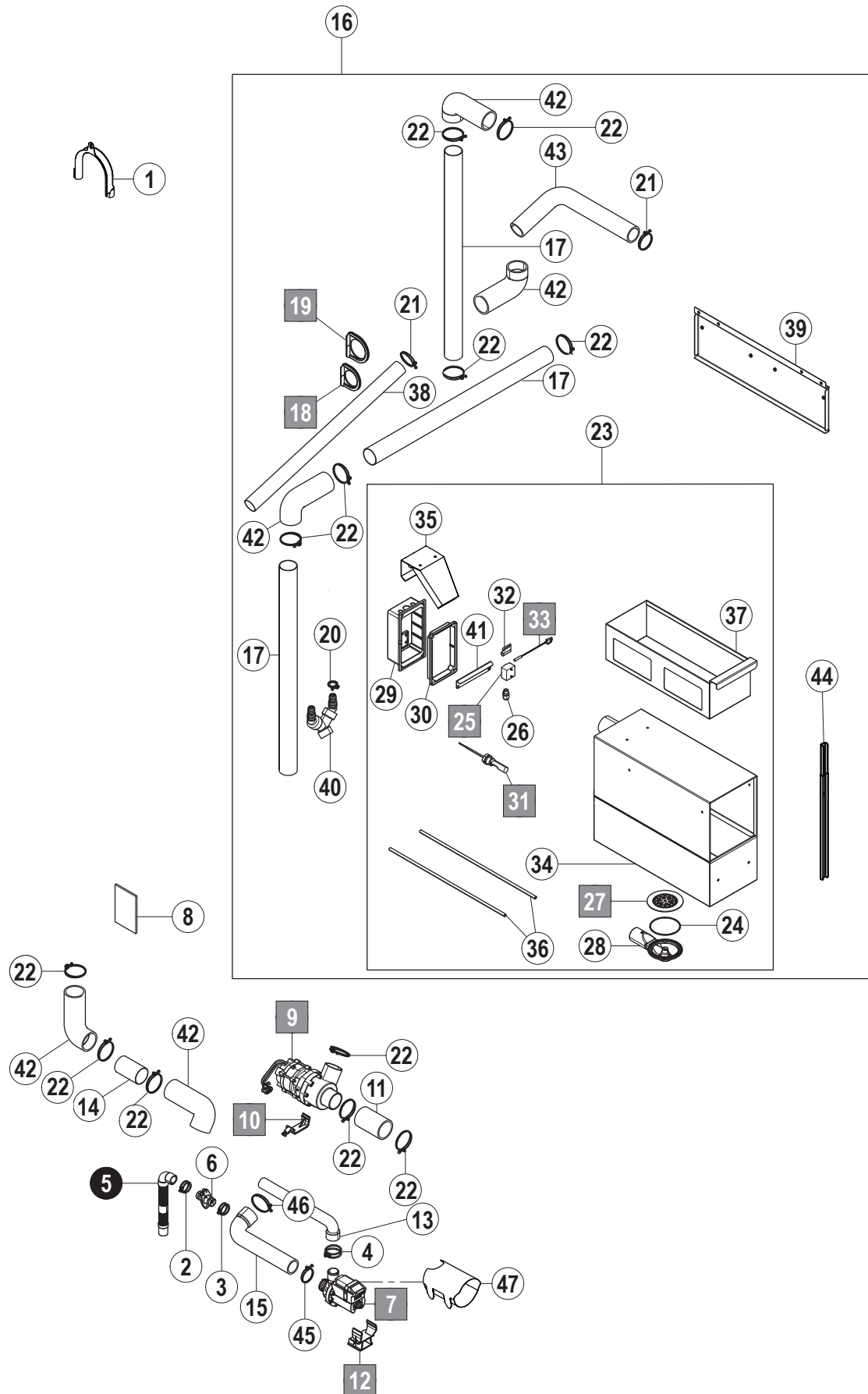
Pos. no.	Part no.	Part name	Remarks
1	01-539668-001	Bracket dosing unit	
2	01-515269-006	Dosing pump rinse aid	
3	01-515268-002	Dosing pump detergent	
4	00-775608-003	Spare parts kit mill Hose rinse aid	
5	01-515268-020	Spare parts kit mill Hose detergent	
6	01-515242-001	Hose guidance rail	
7	01-515410-011	Suction Hose	
8	01-515410-006	Pressure Hose rinse aid	
9	01-515410-016	Pressure Hose detergent	
10	01-246210-001	Hose shell, blue	
11	00-775239-001	Suction piece	
12	00-883676-001	Dosing nipple detergent	
13	04-006166-013	Suction lance detergent (black) 340mm	Option
	04-006166-011	Suction lance detergent (black) 450mm	Option
14	04-006166-014	Suction lance liquid rinse aid (blue) 340mm	Option
	04-006166-012	Suction lance liquid rinse aid (blue) 450mm	Option
15	01-515113-001	Cover	Suction lance (option)

17. Waste water heat recovery (Option)



Pos. no.	Part no.	Part name	Remarks
1	01-515842-001	Drain heat recovery compl.	incl. Pos. 2 - 4
2	01-515841-001	Housing drain water heat recovery	
3	01-515635-001	Drain heat recovery	
4	01-539582-001	Insulation	
5	01-539513-001	Hose	with softener
6	01-539514-001	Hose	without softener
7	04-005678-001	Hose	
8	01-515894-001	Hose	
9	01-515895-001	Hose	
10	00-323945-017	Hose clip	
11	00-323945-025	Hose clip	
12	00-323945-029	Hose clip	

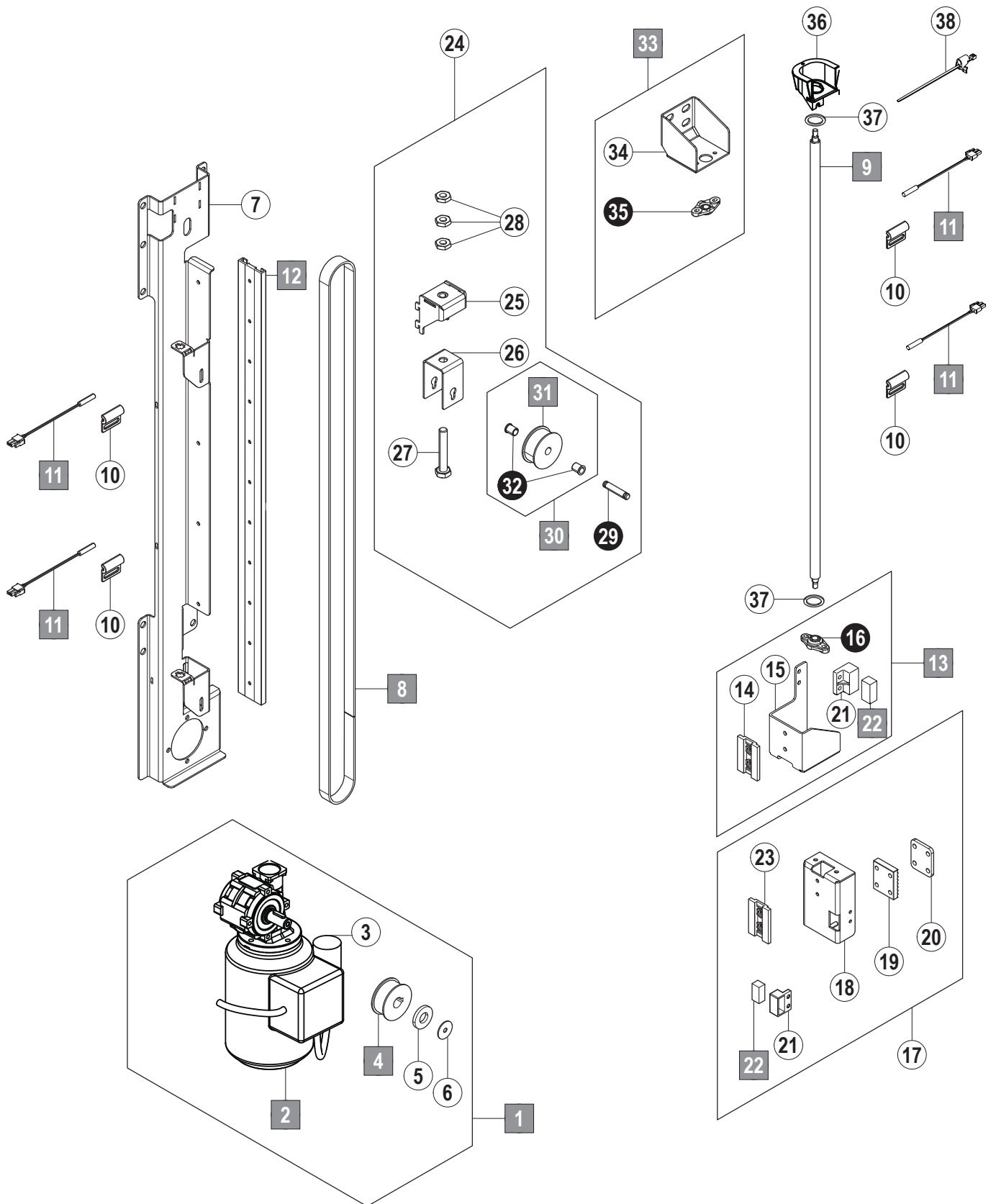
18. ASR at AUPL



Pos. no.	Part no.	Part name	Remarks
1	00-883985-001	Hose retainer	
2	00-324510-287	Hose clip	
3	00-323945-031	Hose clip	
4	00-323945-040	Hose clip	
5	00-883961-002	Drain Hose	
6	01-240159-001	Drain connection	
7	01-297707-002	Drain pump	
8	01-515343-001	Insulation	
9	01-297380-001	Drain pump	
10	01-515154-001	Bracket rinse pump	
11	01-515905-001	Hose	
12	01-515923-001	Bracket pump	
13	01-539554-001	Hose	
14	01-539586-008	Pipe	
15	01-539590-001	Hose	
16	01-539625-001	ASR assembly kit	
17	01-539586-003	Pipe	
18	01-539608-001	Cover Hose	
19	01-539609-001	Cover Hose	
20	00-323945-029	Hose clip	
21	00-323945-053	Hose clip	
22	00-323945-064	Hose clip	
23	01-515795-001	Drain pan	
24	01-245340-004	O-ring	
25	00-325056-001	Terminal block light beam	
26	00-695661-001	Cable fitting	
27	01-245107-001	Coarse strainer	
28	01-531711-001	Drain	
29	01-245373-001	Clamping box	
30	01-245374-001	Cover clamping box	
31	01-511207-001	Float switch	
32	01-515259-001	Bracket gas reed switch	
33	01-515276-002	Reed switch	
34	01-515862-002	Drain pan	
35	01-539673-002	Deflector	
36	01-539524-001	Support bar	
37	01-539525-001	Strainer drawer	
38	01-539592-001	Pipe	
39	01-539594-001	Adapter plate	
40	01-539631-001	Double Hose connection	
41	01-539551-001	Block strainer drawer	
42	01-539534-001	Bow	

Pos. no.	Part no.	Part name	Remarks
43	01-539535-001	Hose	
44	01-539646-001	Adapter stripes	
45	00-323945-043	Hose clip	
46	00-323945-049	Hose clip	
47	04-005818-001	Protective sheet	

19. Hoodlift (Option)



Pos. no.	Part no.	Part name	Remarks
1	01-539547-001	Motor compl.	incl. Pos. 2 - 6
2	01-539677-001	Motor incl. SUP	
3	01-539558-010	Condenser	
4	01-515655-001	Toothed belt	
5	01-515656-001	Distance ring	
6	00-228694-002	Washer	
7	01-539662-002	Connection machine	
8	01-539629-002	Toothed belt	
9	01-515670-002	Lifting rod	
10	01-515259-001	Bracket gas reed switch	
11	01-515276-002	Reed switch	
12	01-515662-002	Bearing	
13	01-515683-001	Hoist slider compl.	incl. Pos. 13 - 15
14	01-515665-001	Slider	
15	01-515666-001	Hoist slider	
16	01-515667-001	Flange bearing	
17	01-539634-001	Clamping plate compl.	incl. Pos. 17 - 22
18	01-539633-001	Belt carriage	
19	01-539630-001	Crown gear	
20	01-539628-001	Clamping plate	
21	01-510648-001	Magnet retainer	
22	00-775860-001	Magnet	
23	01-515665-001	Slider	
24	01-539614-001	Fastening device compl.	incl. Pos. 24 - 31
25	01-539622-001	Fastening plate	
26	01-539612-001	Wheel support	
27	00-602591-000	Screw	
28	00-603465-000	Nut	
29	04-005845-001	Fixing pin	
30	01-515659-001	Toothed belt wheel compl.	incl. Pos. 30 + 31
31	01-515660-001	Toothed belt	
32	04-005844-001	Slide bearings	
33	01-539660-001	Hood stopper compl.	incl. Pos. 34 + 35
34	01-539671-001	Hood stopper	
35	01-515667-001	Flange bearing	
36	01-539639-001	Cover cable tube	
37	00-602287-000	Slice	
38	00-691923-001	Fixing strap	

HOBART GmbH

Robert-Bosch-Str. 17
77656 Offenburg
Germany
Tel.: +49 (0)781.600-0
Fax: +49 (0)781.600-23 19
E-Mail: info@hobart.de
Internet: www.hobart.de

HOBART Export
Robert-Bosch-Str. 17
77656 Offenburg
Germany
Phone: +49 (0)781.600-2820
Fax: +49 (0)781.600-2819
E-Mail: info-export@hobart.de
Internet: www.hobart-export.com

Hobart UK.

Southgate Way,
Orton Southgate,
Peterborough
PE2 6GN
United Kingdom
Phone: +44 (0)844 888 7777
Republic of Ireland: +353 (0)1246 0248
Fax: +44 (0)1733 361 347
E-mail: sales@hobartuk.com
Internet: www.hobartuk.com

Compagnie HOBART SAS

Allée du 1er mai
77183 Croissy Beaubourg
FRANCE
Phone: +33 (0)1 64 11 60 00
Fax: +33 (0)1 64 11 60 10
E-mail: contact@hobart.fr
Internet: www.hobart.fr

Hobart Nederland BV

Pompomolenlaan 12
3447 GK Woerden
Phone: +31 (0)348 462626
Fax: +31 (0)348 430117
E-mail: info@hobartnederland.nl
Internet: www.hobartnederland.nl

Hobart Foster Belgium bvba/sprl

Industriestraat 6
1910 Kampenhout
Telefoon +32 (0) 16.60.60.40
Fax +32 (0) 16.60.59.88
E-mail: info@hobart.be
Internet: www.hobart.be

Hobart Norge

Gamle Drammenvei 120
N-1363 Høvik
Phone: +47-67109800
Fax: +47-67109801
E-mail: post@hobart.no
Internet: www.hobart.no

Hobart Scandinavia ApS

Håndværkerbyen 27
2670 Greve
Danmark
Phone: +45 4390 5012
Fax: +45 4390 5002
E-mail: salg@hobart.dk
Internet: www.hobart.dk

Hobart Sweden/Finland

Phone: +46 8 584 50 920
E-mail: info@hobart.se
Internet: www.hobart.se

Australia**Hobart Food Equipment**

Unit 1 / 2 Picken Street,
Silverwater NSW, 2128
Tel: +61 1800 462 278
Fax: +61 02 9714 0222
E-mail: sales@hobartfood.com.au
Internet: www.hobartfood.com.au

HOBART China

15th Floor, Building A
New Caohejing International Business
Center
391 Gui Ping Road
Shanghai, 200233
Phone: +86 (0)21 34612000
Fax: +86 (0)21 34617166
Internet: www.hobartchina.com

HOBART Korea LLC

7th Floor, Woonsan Bldg, 108, Bangi-dong
Songpa-gu, Seoul 138-050
Korea
Telephone: +82 2 34 43 69 01
Fax: +82 2 34 43 69 05
E-mail: contact@hobart.co.kr
Internet: www.hobart.co.kr

HOBART (Japan) K.K.

6-16-16 Minami-Oi, Shinagawa-ku,
Tokyo 140-0013
Japan
Telephone: +81 3 5767 8670
Fax: +81 3 5767 8675
E-mail: info@hobart.co.jp
Internet: www.hobart.co.jp

Hobart International (S) Pte Ltd

158, Kallang Way, #06-03/05
Singapore 349245
Telephone: +65 6846 7117
Fax: +65 6846 0991
E-mail: enquiry@hobart.com.sg
Internet: <http://www.hobart.com.sg>

Hobart Thailand

43 Thai CC Tower Building,
31st FL, Room No. 310-311,
South Sathorn Rd., Yannawa,
Sathorn, Bangkok, 10120
Thailand
Telephone: +66(0)2-675-6279-81
Fax: +66(0)2-675-6282
E-mail: enquiry@hobarthailand.com
Internet: <http://www.hobarthailand.com>

ITW India Pvt Ltd.

501-502 Vipul Trade Centre
Sector 48 Sohna Road
Gurgaon 122001
Telephone: +91 124 4245430
Fax: +91 124 4245432